



(12) **United States Design Patent**
Speck et al.

(10) **Patent No.:** **US D545,649 S**
(45) **Date of Patent:** **** Jul. 3, 2007**

(54) **CARPET INSTALLATION DEVICE**

(76) Inventors: **Terry A. Speck**, 610-67th Ave. N. C6,
Myrtle Beach, SC (US) 29572;
Kenneth D. Wagster, 101 Stonehurst
Dr., Goose Creek, SC (US) 29445

(**) Term: **14 Years**

(21) Appl. No.: **29/234,529**

(22) Filed: **Jul. 20, 2005**

Related U.S. Application Data

(63) Continuation of application No. 11/154,644, filed on
Jun. 17, 2005.

(51) **LOC (8) Cl.** **08-05**

(52) **U.S. Cl.** **D8/15**

(58) **Field of Classification Search** D8/14-16,
D8/19, 45, 88; D19/65, 72; D21/385, 386;
D99/99; 7/103; 16/4-7, 16; 81/488; 294/8.6
See application file for complete search history.

(56) **References Cited**

U.S. PATENT DOCUMENTS

D28,943 S *	6/1898	Martin et al.	D8/15
1,416,051 A	5/1922	Muller	
2,664,589 A *	1/1954	Szpilberg	16/16
2,750,621 A *	6/1956	White	16/16
3,673,633 A *	7/1972	Frebraro	16/16
3,805,862 A	4/1974	Jirovetz	
3,858,269 A	1/1975	Sutton et al.	
3,997,937 A	12/1976	Manguso	
D254,474 S *	3/1980	Finucane et al.	D8/15
4,230,303 A	10/1980	Schilz	
4,588,628 A *	5/1986	Roth	428/85
D287,565 S *	1/1987	Merritt	D8/14
4,653,138 A	3/1987	Carder	
4,759,096 A	7/1988	Dorris	
4,970,754 A	11/1990	Anderson et al.	
5,203,130 A	4/1993	Freelove	
D353,754 S *	12/1994	Carlisle	D8/14
5,465,459 A *	11/1995	Hopkins	16/11
5,661,874 A	9/1997	Latour	

D392,855 S *	3/1998	Pillow	D8/14
5,761,765 A	6/1998	Fuzzell	
5,775,045 A	7/1998	Hill	
5,956,804 A	9/1999	Dunne	
6,026,619 A	2/2000	Hunt	
6,155,629 A *	12/2000	Sherman	16/4
6,553,616 B2	4/2003	Johnson	
2001/0002615 A1	6/2001	Lacross et al.	
2004/0168381 A1	9/2004	Rissone	
2006/0282981 A1 *	12/2006	Speck et al.	16/16

FOREIGN PATENT DOCUMENTS

JP	2002253418	9/2002
WO	WO 92/08400 A1	5/1992

OTHER PUBLICATIONS

“Carpet Tack Strip,” website: <http://doityourself.com/store/carpet-tackstrip.htm>, 1 page, printed from the Internet on Sep. 13, 2004.

* cited by examiner

Primary Examiner—Robert M. Spear
Assistant Examiner—Garth Rademaker
(74) *Attorney, Agent, or Firm*—Christopher Wood; Wood & Eisenberg, PLLC

(57) **CLAIM**

The ornamental design for a carpet installation device, as shown and described.

DESCRIPTION

FIG. 1 is a perspective view of a carpet installation device, which is used for laying down carpet around a doorjamb, showing our new design;

FIG. 2 is a top plan view thereof;

FIG. 3 is a bottom plan view thereof;

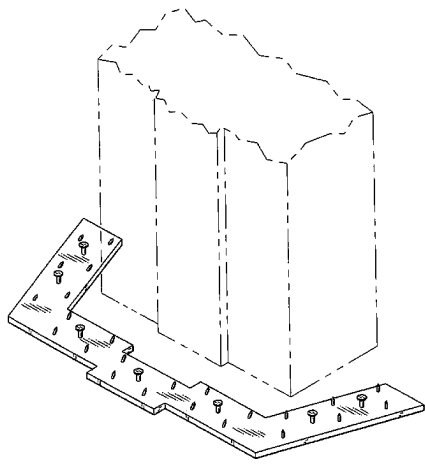
FIG. 4 is a front elevation view thereof;

FIG. 5 is a rear elevation view thereof;

FIG. 6 is a left side elevation view thereof; and,

FIG. 7 is a right side elevation view thereof.

1 Claim, 5 Drawing Sheets



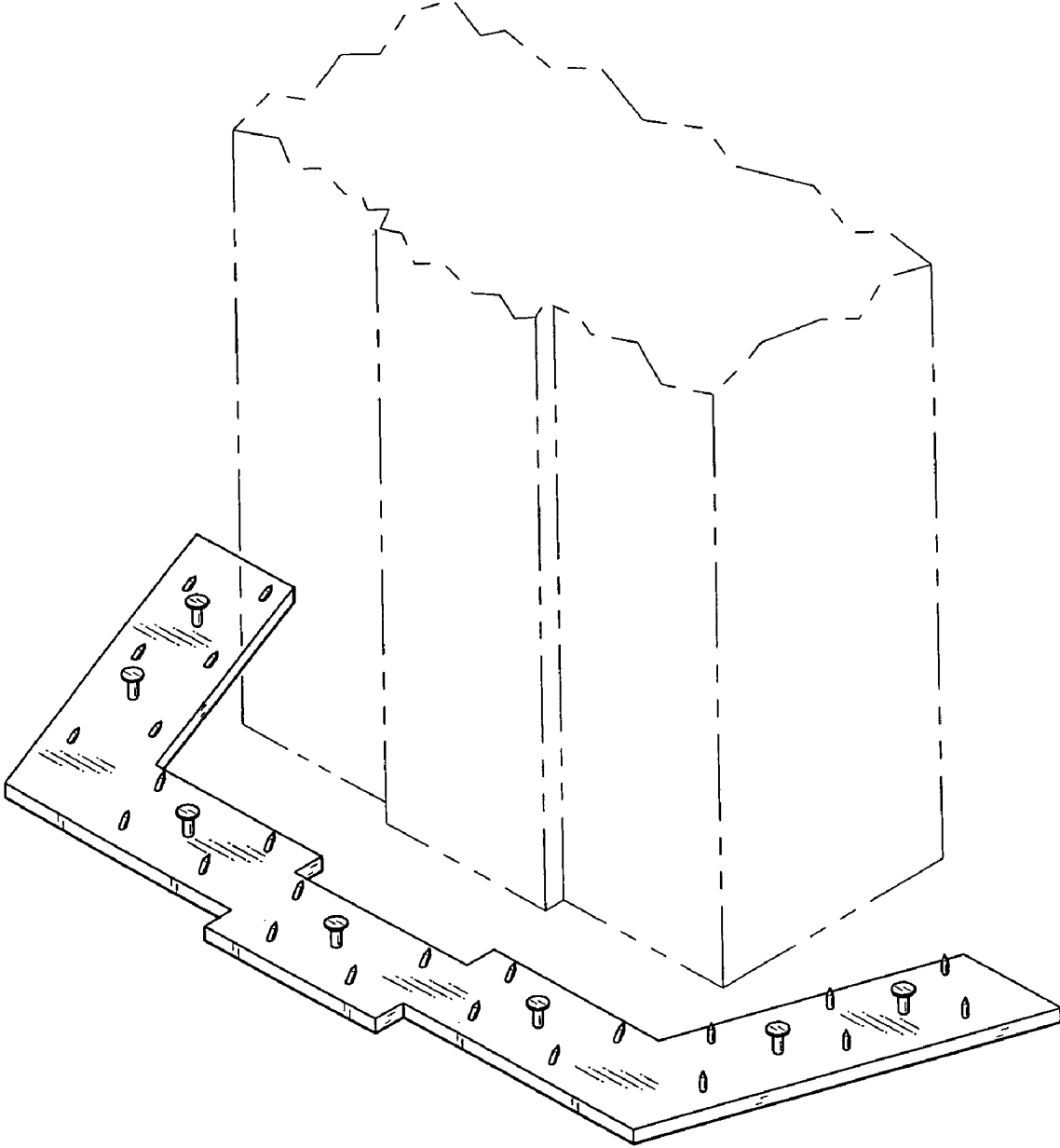


Fig. 1

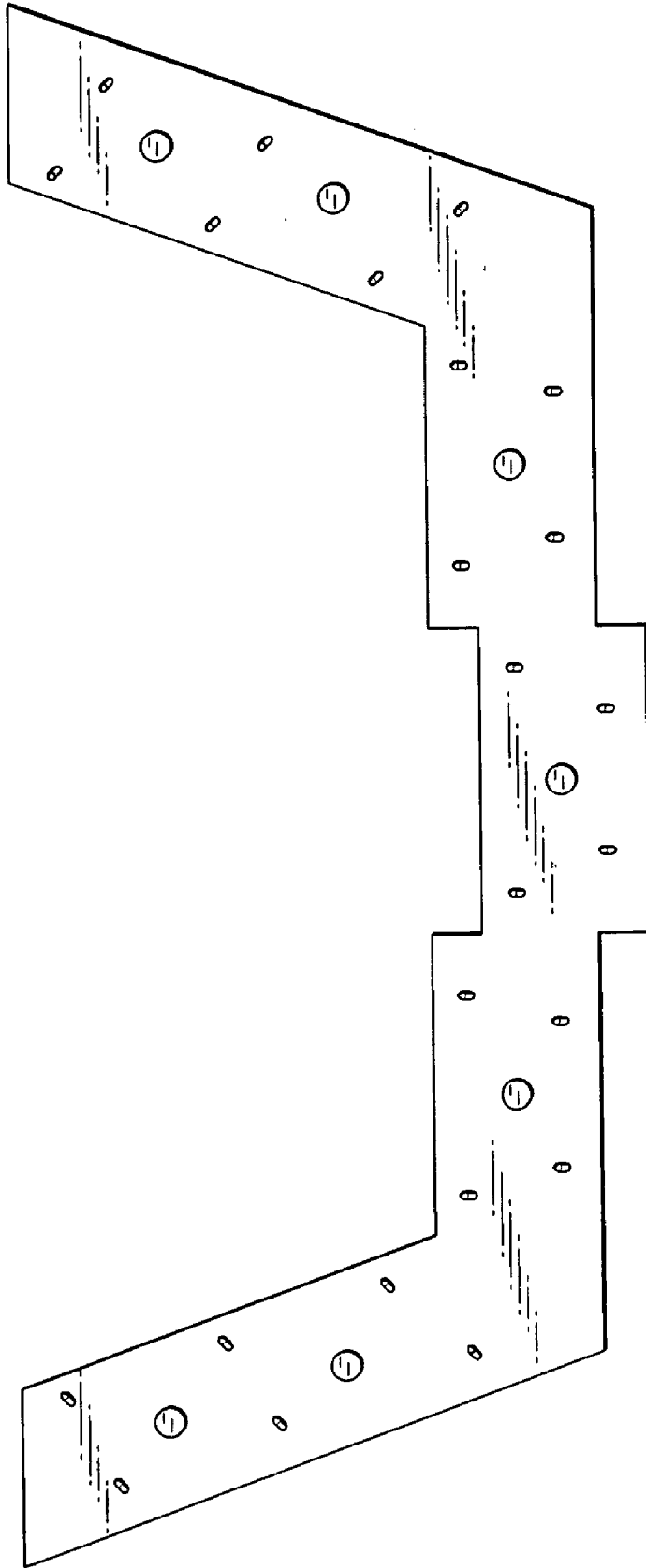


Fig. 2

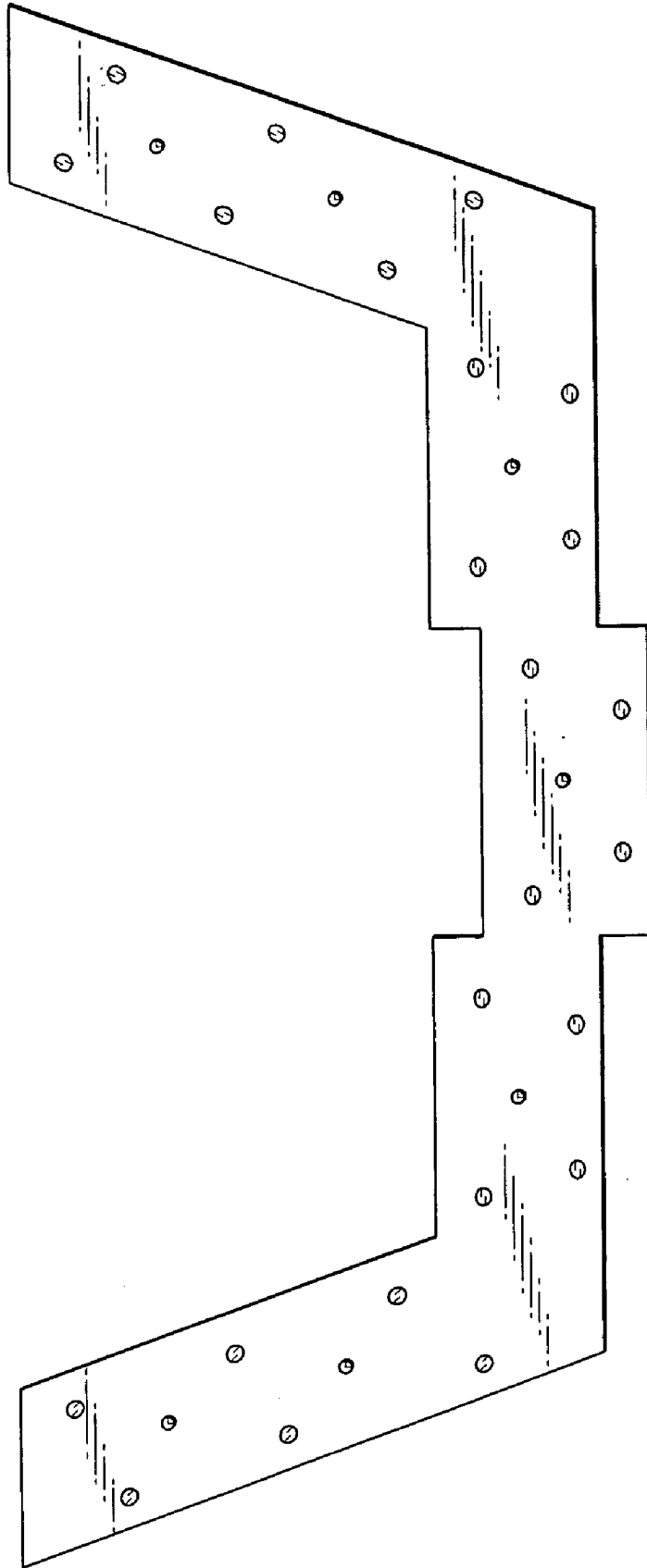


Fig. 3



Fig. 4



Fig. 5

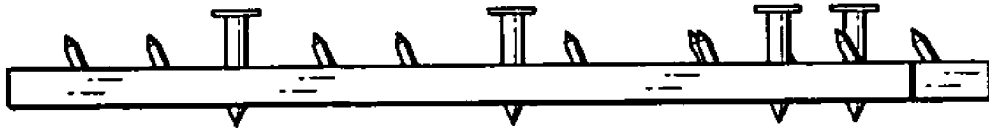


Fig. 6

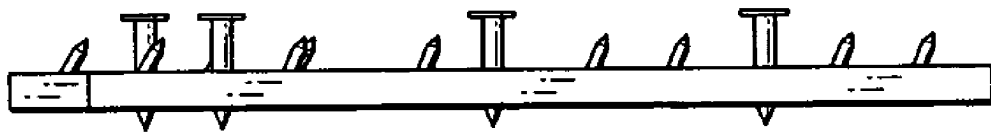


Fig. 7